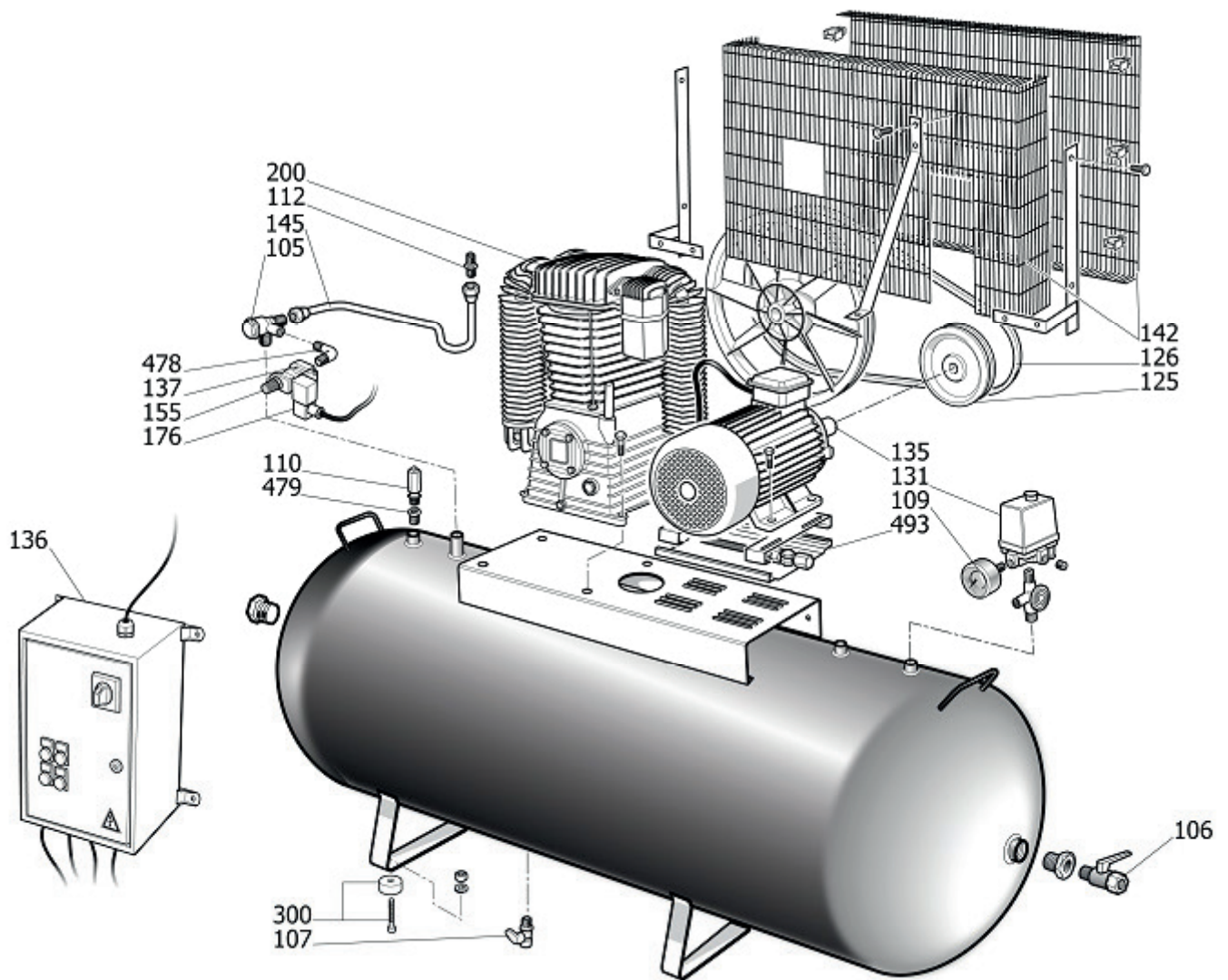




TECHNICAL DRAWING
K 500-1000S

REF. NO.: 36516-N



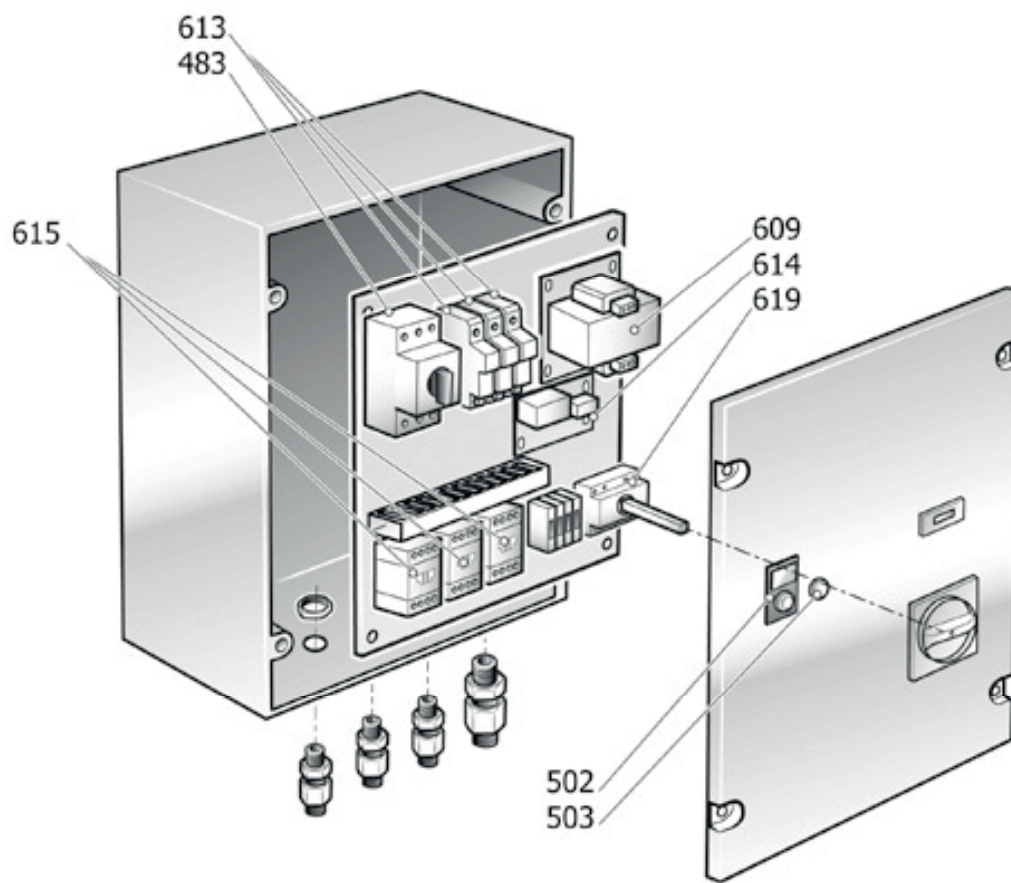
**<SKU> PART LIST**

REF. NO.: <SKU NUMBER>

NO.	Designation	Code SKU	Qty
105	Check valve	4101335	1
106	Line valve	#022002000	1
106	Line valve	4100809	1
107	Condensate drain valve	9047097	1
109	Pressure gauge	9052271	1
110	Relief valve	9049310	1
112	Nipple/elbow	4101334	1
125	Pulley	9434006	1
26	Poly V belt	9075880	1
131	Pressure switch	\$12800270	1
135	Motor	848T00A	1
136	Magn. Starter w/ovld cutout	9062923	1
137	Solenoid valve	9064462	1
142	Belt guard	834302A	1
145	Delivery pipe	9043695	1
155	Muffler	9050736	1
176	Connector	9064139	1
200	Bare pump	SL0000A	1
457	Air tube	\$14300950	0,2
493	Motor saddle	9083460	1



MAGN. STARTER W/OVLD CUTOUT AVV.SD 7,5HP 40

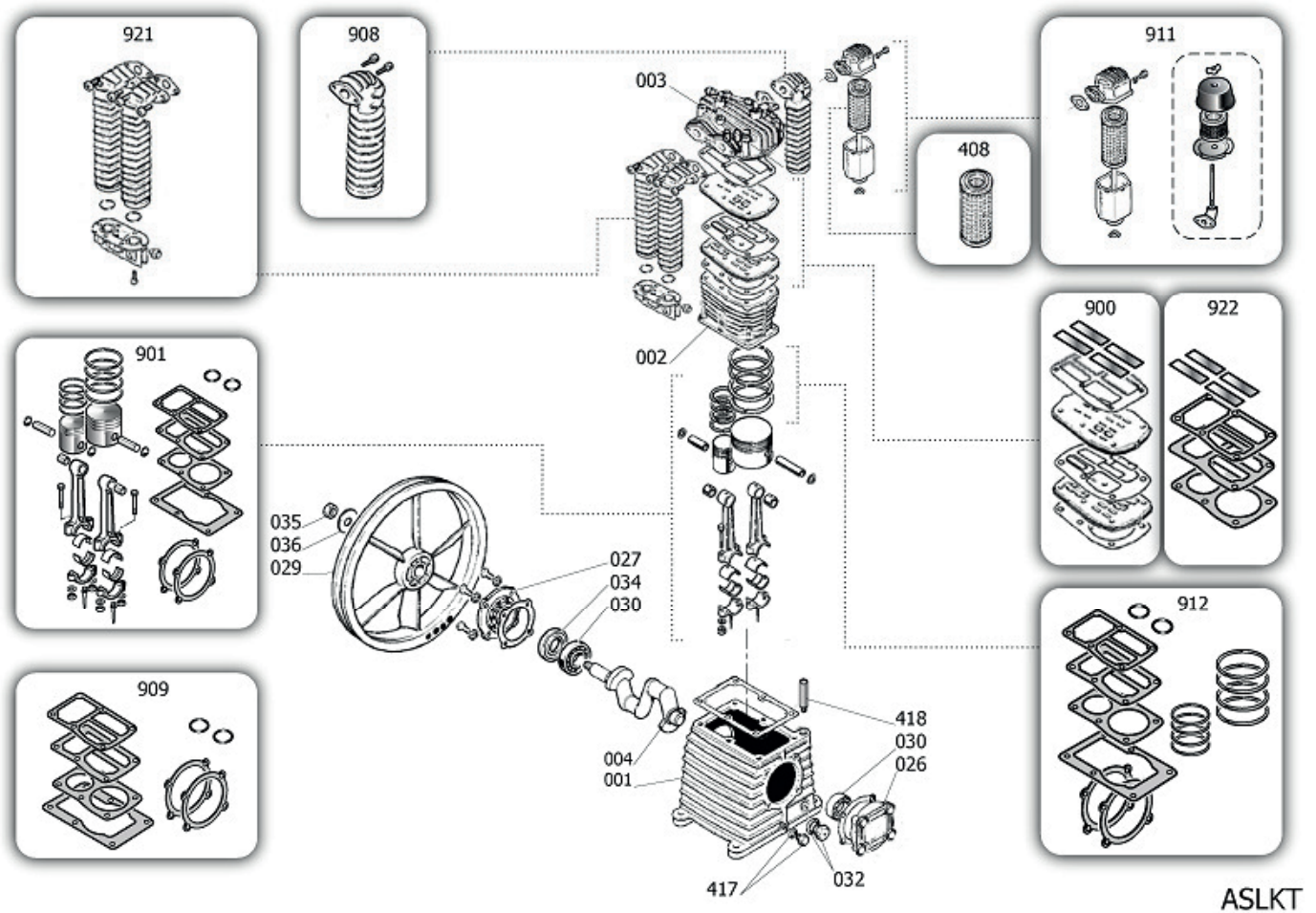


**MAGN. STARTER W/OVLD CUTOUT AVV.SD 7,5HP 40**

NO.	Designation	Code SKU	Qty
483	Thermal cutout	E0M0304015	1
489	Hour counter	E0M090002	1
502	Switch/selector	EOP270KIT669	1
503	Signal light	EOP270KIT668	1
613	FUS.10X38-1A CH10	E0M11LEOAM1	2
613	FUS.10X38-4A CH10	E0M11WEBGG04	1
614	Temporizzatore	E0M095002	1
615	CONT.9A 24V NO AC3 LC1E0910B7	E0M010310	1
615	CONT.9A 24V NC AC3 LC1E0901B7	E0M010314	2
619	Mechanical interlock	E0M05042004	1
625	TRASF.80VA 0-230-400/0-24V	E0M14080424	1



BARE PUMP SL0000A



**BARE PUMP SL0000A**

NO.	Designation	Code SKU	Qty
1	Casing	\$33102030	1
2	Cylinder	\$31602020SGL	1
3	Head	SL61400	1
4	Shaft	SL61200	1
26	Front cover	\$30402740	1
27	Casing rear support	\$30402800	1
29	Flywheel	\$31002680	1
30	Ball bearing 6206 C3	\$30302140	2
32	Oil light	\$36531150	1
34	Seal	\$30302150	1
35	Screw flywheel	\$37403780	1
36	Washer flywheel	\$37502450	1
408	MPK filt.Cartridge EXA K17-K50	9434N01	1
417	Oil plug	\$36531140	1
418	Kit tappo sfiato	\$12505950	1
900	MPK valve plate K30	9434A14	1
901	MPK piston-conrod K30	9434B18	1
908	MPK aftercooler K30	9434E07	1
909	MPK gasket K30	9434F15	1
911	Air filter kit	9434M01	1
912	MPK piston rings k30	9434C17	1
921	MPK intercooler K30-60	9434D03	1
922	MPK mainten.PV K30-60	9434H07	1