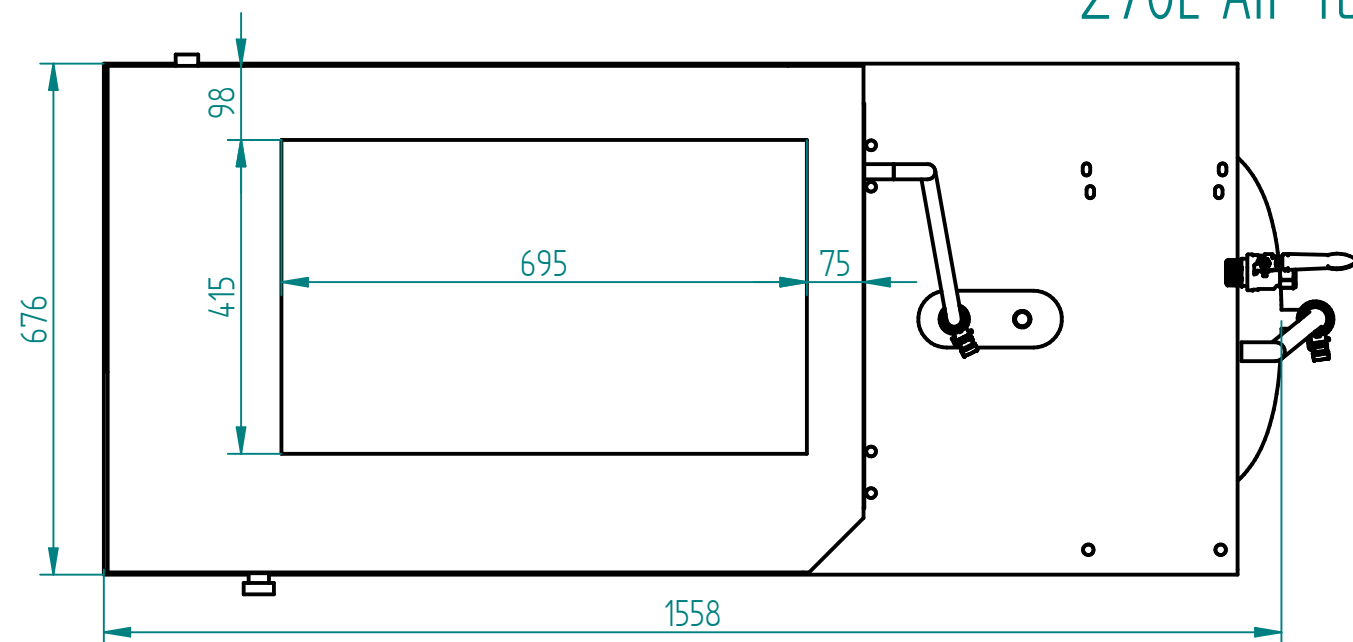



270L Air tank



Weight	360	Temperature conditions	5-45[°C]
Length	1645	Air connection	1"
Width	676	Power	12,69KW
Height	1765	Max pressure	10 bar
Air tank	270L	Dryer	RDL100
	NAME	DATE	<b>Airpress</b> 
DRAWN	eng. Antoni Bielawski	3103.2026	
CHECKED	Wojciech Majewski		
ENG APPR	eng. Antoni Bielawski	3103.2026	
MGR APPR			TITLE
UNLESS OTHERWISE SPECIFIED DIMENSIONS ARE IN MILLIMETERS ANGLES ±X.X° 2 PL ±X.XX 3 PL ±X.XXX			SIZE DWG NO REV . 1 1 FILE NAME: Air00000105-1.dft SCALE: 1:10 WEIGHT: SHEET 1